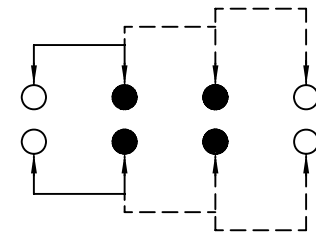
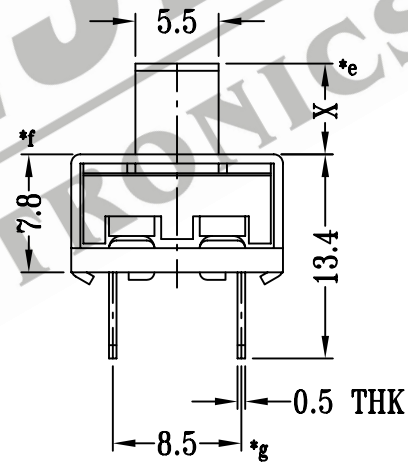
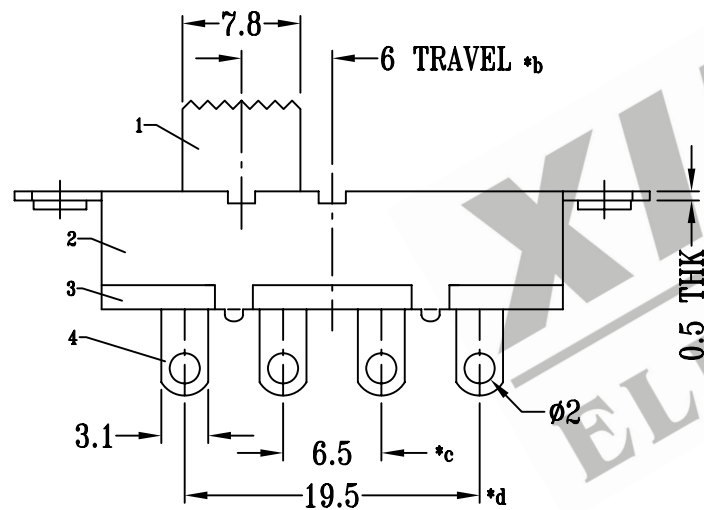
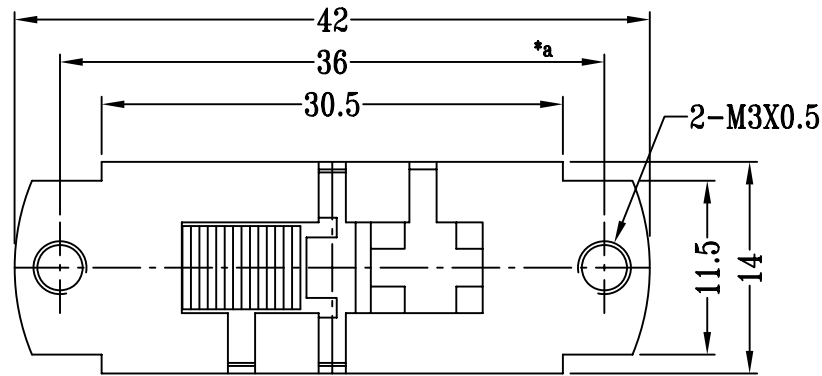
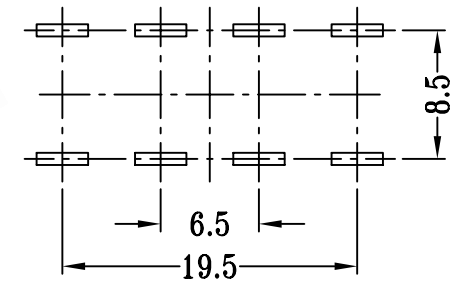


CAD FILE:



**SCHEMATIC (NON-SHORTING)**



**P.C.B LAYOUT**

注:带"\*"表示关键尺寸(7个)

NO.	PART NAME	MATERIAL	QTY	FINISHING	TOLERANCE UNLESS SPECIFIED	SHENZHEN XIEJIA ELECTRONICS CO.,LTD.				
8						ISSUE	DATE	DESCRIPTIONS		APPD
7	SPRING PLATE	PBS STRIP	1	NATURAL	WITHIN : 1.5±0.1mm OVER : 1.5±0.2mm					
6	SPRING PLATE	PBS STRIP	2	NATURAL						
5	CONTACT CLIP	COPPER STRIP	2	Ag PLATED						
4	TERMINAL	COPPER STRIP	8	Ag PLATED OVER Ni PLATED	TITLE: VERTICAL SLIDE SWITCH	UNIT : MM	DRWG NO.: XJ-DR-SS23L13-00			
3	TERMINAL BASE	PHENOLIC RESIN(V0)	1	BLACK	MODEL: SS-23L13	SCALE: 2:1	DWN	ZHOUYU	2003-4-8	
2	FRAME	STEEL STRIP	1	Zn PLATED			CHK'D	FANGYING	2003-4-8	
1	KNOB	PC+94V0	1	BLACK	ALL MATERIALS MUST BE COMPLIANT TO ROHS		APPD	KANGXINAN	2003-4-8	